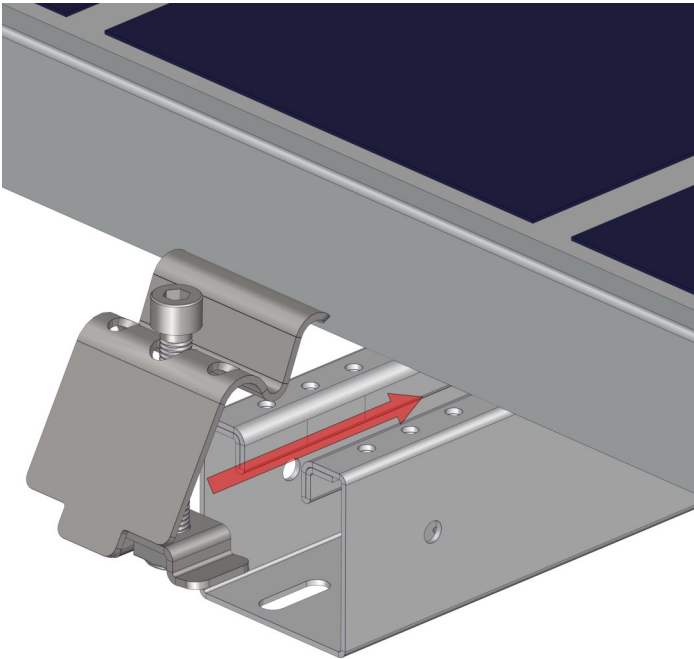
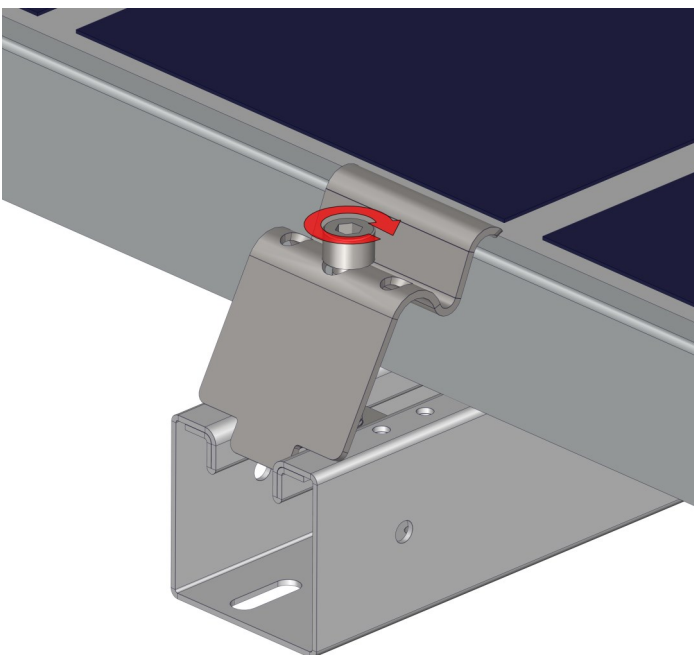


Observe the Swedish Work Environment Authority's rules! All work at heights above 2m must be carried out with falling protection. Weland Stål can help you create a safe workplace.

## End clamp

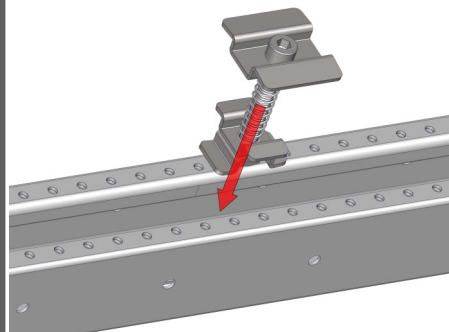


Hook the lower section firmly into the rail and place the upper section against the panel side.

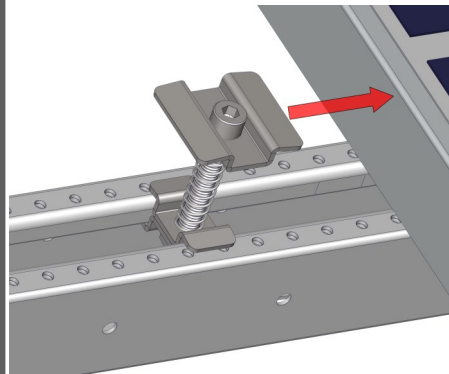
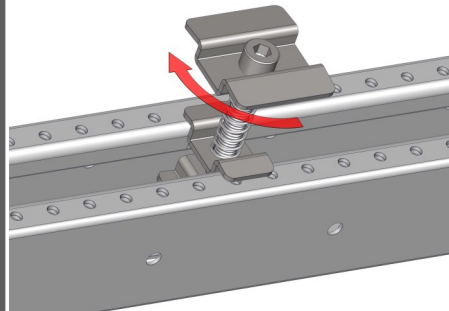


Tighten the clamp so it fastens the panel in place.

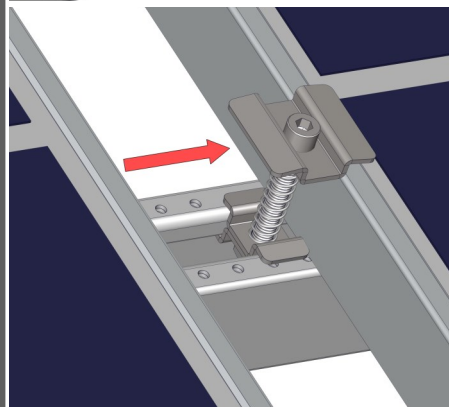
## Intermediate clamp



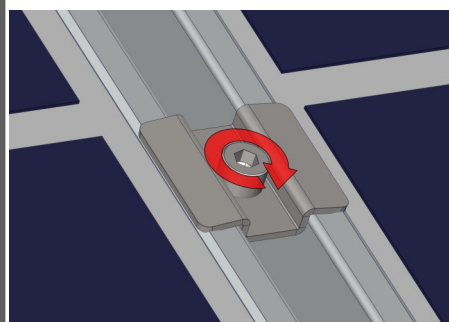
Press down the clamp and turn by 90°.



Place it against the first panel.



Place it against the second panel.



Tighten the clamp until the wings are completely flat against the panel.